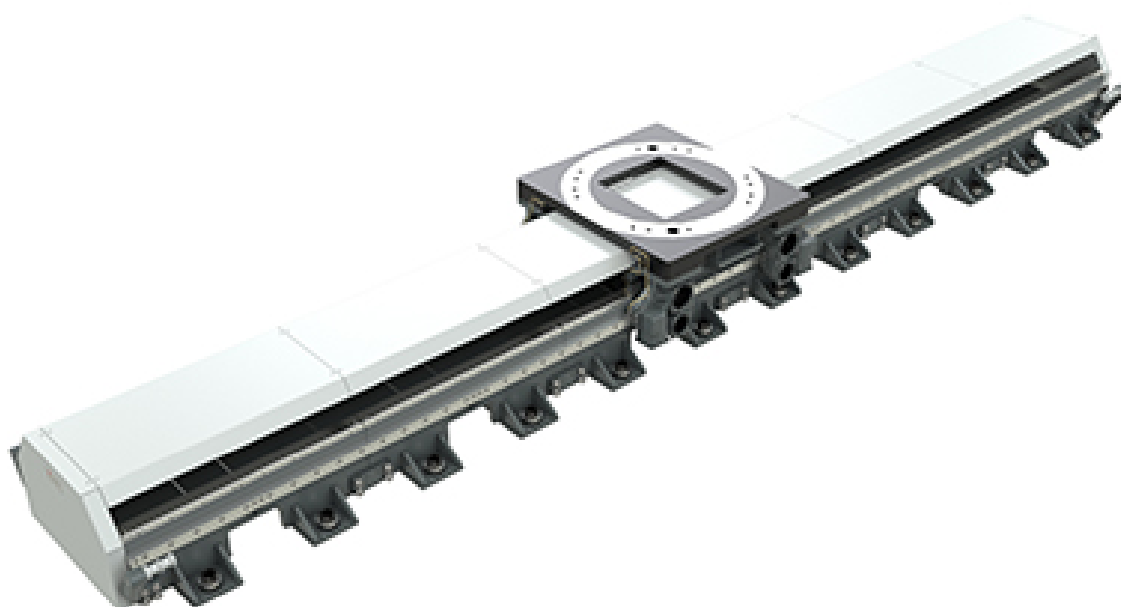


ROBOTICS

# Product manual, spare parts

## IRT 710 OmniCore



Trace back information:  
Workspace Systems version a48  
Checked in 2024-09-10  
Skribenta version 5.5.019

**Product manual, spare parts**

**IRT 710 OmniCore**

OmniCore

Document ID: 3HKA00000213432-001

Revision: B

The information in this manual is subject to change without notice and should not be construed as a commitment by ABB. ABB assumes no responsibility for any errors that may appear in this manual.

Except as may be expressly stated anywhere in this manual, nothing herein shall be construed as any kind of guarantee or warranty by ABB for losses, damage to persons or property, fitness for a specific purpose or the like.

In no event shall ABB be liable for incidental or consequential damages arising from use of this manual and products described herein.

This manual and parts thereof must not be reproduced or copied without ABB's written permission.

Keep for future reference.

Additional copies of this manual may be obtained from ABB.

Original instructions.

© Copyright 2024 ABB. All rights reserved.  
Specifications subject to change without notice.

# Table of contents

Overview of this manual .....	7
Product documentation .....	9
<b>1 Spare parts and exploded views</b> .....	<b>11</b>
1.1 Spare parts - carriage parts .....	12
1.1.1 Drive parts .....	12
1.1.2 Cam roller unit parts .....	14
1.1.3 Scraper unit parts .....	15
1.1.4 Calibration kit parts .....	16
1.1.5 Lubrication parts .....	17
1.2 Spare parts - track parts .....	18
1.2.1 Track parts .....	18
1.2.2 Cover parts .....	21
1.3 Spare parts - cable chain parts .....	22
1.3.1 Cable chain parts .....	22
1.3.2 Cable chain cover parts .....	24
1.4 Spare parts - tool parts .....	25
1.4.1 Reducer uninstall tool unit .....	25
1.4.2 Reducer backlash adjust tool .....	27
1.4.3 Cam roller adjust tool .....	29
1.4.4 Rack mounting block .....	31
1.4.5 Rack clamps .....	32
1.4.6 Levelling tool .....	33
1.4.7 Tool for levelling screw nut tightening .....	34
1.4.8 Axis Y adjusting tool .....	35
1.4.9 Tooling bolt M16x35 .....	36
1.4.10 Calibration tool 12 mm .....	37
1.4.11 Calibration pin 12 mm .....	38
1.4.12 Roller support block .....	39
1.4.13 Rail tool .....	40
1.5 Spare parts - electrical parts .....	41
1.5.1 Spare parts - MCB parts .....	42
1.5.2 Spare parts - Motor cables .....	43
1.5.3 Spare parts - Customer cables .....	49
1.5.4 Spare parts - Lubrication cables .....	56
1.5.5 Spare parts - Grounding cables .....	57

**This page is intentionally left blank**

# Overview of this manual

---

## About this manual

This manual contains instructions for:

- mechanical and electrical installation of the IRT 710 OmniCore
- maintenance of the IRT 710 OmniCore
- mechanical and electrical repair of the IRT 710 OmniCore

The robot described in this manual has the following protection types:

- *Standard*
- 

## Product manual scope

The manual covers all variants and designs of the IRT 710 OmniCore. Some variants and designs may have been removed from the business offer and are no longer available for purchase.

---

## Usage

This manual should be used during:

- installation and commissioning, from lifting the product to its work site and securing it to the foundation, to making it ready for operation
- maintenance work
- repair work
- decommissioning work



### Note

It is the responsibility of the integrator to conduct a risk assessment of the final application.

It is the responsibility of the integrator to provide safety and user guides for the robot system.

---

## Who should read this manual?

This manual is intended for:

- installation personnel
  - maintenance personnel
  - repair personnel.
- 

## Prerequisites

A maintenance/repair/installation craftsman working with an ABB robot must:

- be trained by ABB and have the required knowledge of mechanical and electrical installation/repair/maintenance work.
  - be trained to respond to emergencies or abnormal situations.
- 

*Continues on next page*

# Overview of this manual

Continued

## References

Documentation referred to in the manual, is listed in the table below.

For OmniCore robots

Document name	Document ID
Product Manual - IRT 710	3HKA00000213430
Product specification - IRT 710	3HKA00000214178
Product manual - V250XT_Type A	3HAC084692-001
<i>Product manual - OmniCore V250XT Type B</i>	<i>3HAC087112-001</i>
<i>Product manual - OmniCore V400XT</i>	<i>3HAC081697-001</i>
<i>Operating manual - OmniCore</i>	<i>3HAC065036-001</i>
<i>Technical reference manual - System parameters</i>	<i>3HAC065041-001</i>
Application manual - Additional axes RW7	3HAC082287-001
IRB 7600 product manual	3HAC056372-001
IRB 6740 product manual	3HAC085701-001
IRB 6730 product manual	3HAC085699-001
IRB 6720 product manual	3HAC085697-001
IRB 6710 product manual	3HAC085695-001
IRB 6700 product manual	3HAC044270-001
IRB 6650 product manual	3HAC055424-001
IRB 5720 product manual	3HAC079195-001
IRB 5710 product manual	3HAC075184-001
IRB 4600 product manual	3HAC033453-001
IRB 4400 product manual	3HAC022032-001
IRB 760 product manual	3HAC039838-001
IRB 660 product manual	3HAC025755-001
IRB 460 product manual	3HAC039842-001

## Revisions

Revision	Description
A	First edition.
B	The following updates are done in this revision: <ul style="list-style-type: none"><li>• Added External cable chain cover spare parts in <a href="#">Cable chain cover parts on page 24</a>.</li><li>• Added FE grounding cable spare parts in <a href="#">Spare parts - Grounding cables on page 57</a>.</li></ul>



---

# Product documentation

---

## Categories for user documentation from ABB Robotics

The user documentation from ABB Robotics is divided into a number of categories. This listing is based on the type of information in the documents, regardless of whether the products are standard or optional.



### Tip

All documents can be found via myABB Business Portal, [www.abb.com/myABB](http://www.abb.com/myABB).

---

## Product manuals

Manipulators, controllers, DressPack, and most other hardware is delivered with a **Product manual** that generally contains:

- Safety information.
- Installation and commissioning (descriptions of mechanical installation or electrical connections).
- Maintenance (descriptions of all required preventive maintenance procedures including intervals and expected life time of parts).
- Repair (descriptions of all recommended repair procedures including spare parts).
- Calibration.
- Troubleshooting.
- Decommissioning.
- Reference information (safety standards, unit conversions, screw joints, lists of tools).
- Spare parts list with corresponding figures (or references to separate spare parts lists).
- References to circuit diagrams.

---

## Technical reference manuals

The technical reference manuals describe reference information for robotics products, for example lubrication, the RAPID language, and system parameters.

---

## Application manuals

Specific applications (for example software or hardware options) are described in **Application manuals**. An application manual can describe one or several applications.

An application manual generally contains information about:

- The purpose of the application (what it does and when it is useful).
- What is included (for example cables, I/O boards, RAPID instructions, system parameters, software).
- How to install included or required hardware.
- How to use the application.

*Continues on next page*

*Continued*

- Examples of how to use the application.

---

### Operating manuals

The operating manuals describe hands-on handling of the products. The manuals are aimed at those having first-hand operational contact with the product, that is production cell operators, programmers, and troubleshooters.

# 1 Spare parts and exploded views

---

### Spare part level

ABB spare parts are categorized into two levels, L1 and L2. Always check the part level before conducting a service work on a spare part.

- L1 spare parts

The L1 parts can be replaced in the field. The maintenance and replacement instructions given in the related product manuals must be strictly followed. If there are any problems, contact your local ABB for support.

- L2 spare parts

To replace the L2 parts require specialized training and might need special tools. Only ABB field service personnel or qualified personnel trained by ABB can replace L2 parts.

- L3 spare parts

L3 spare parts shall only be replaced or repaired by qualified ABB service technician with knowledge of the application due to risk of injury to equipment. Improper installation may void warranty.

*Continues on next page*

# 1 Spare parts and exploded views

## 1.1.1 Drive parts

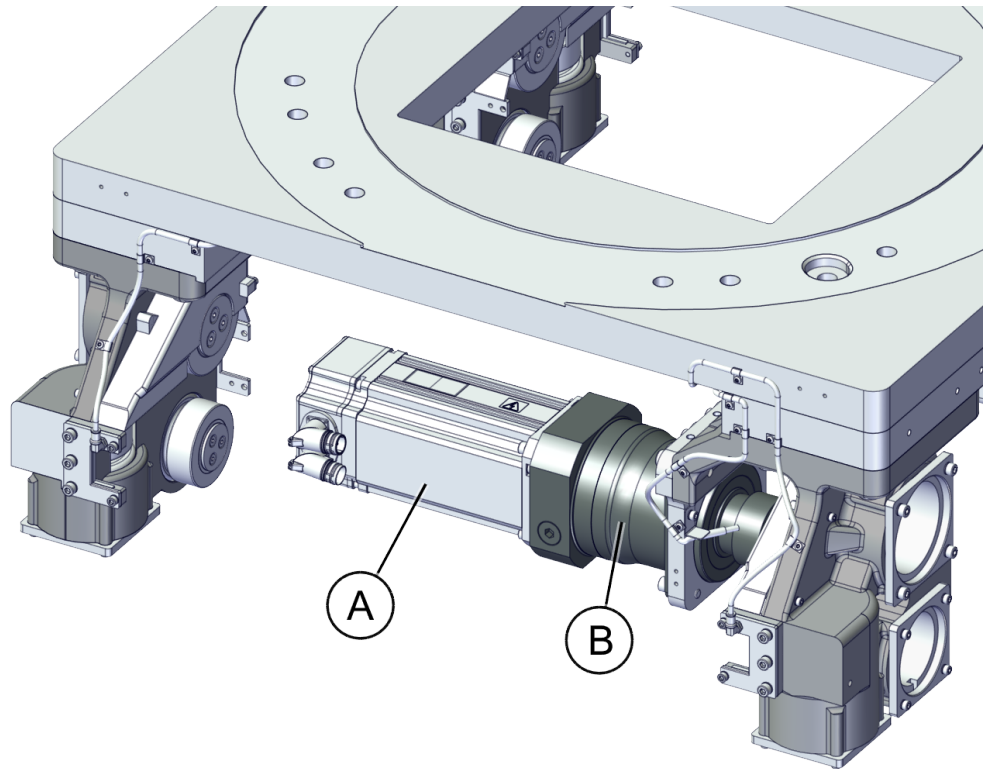
## 1.1 Spare parts - carriage parts

### 1.1.1 Drive parts

#### Spare part list

	Spare part number	Description	Spare part level
A	3HAC088725-001	Motor unit	
A-1	3HAC087402-001	Motor	
A-2	3HAC087424-001	Motor interface cable	
B	3HKA00000186306	Reducer	

#### Spare part illustration



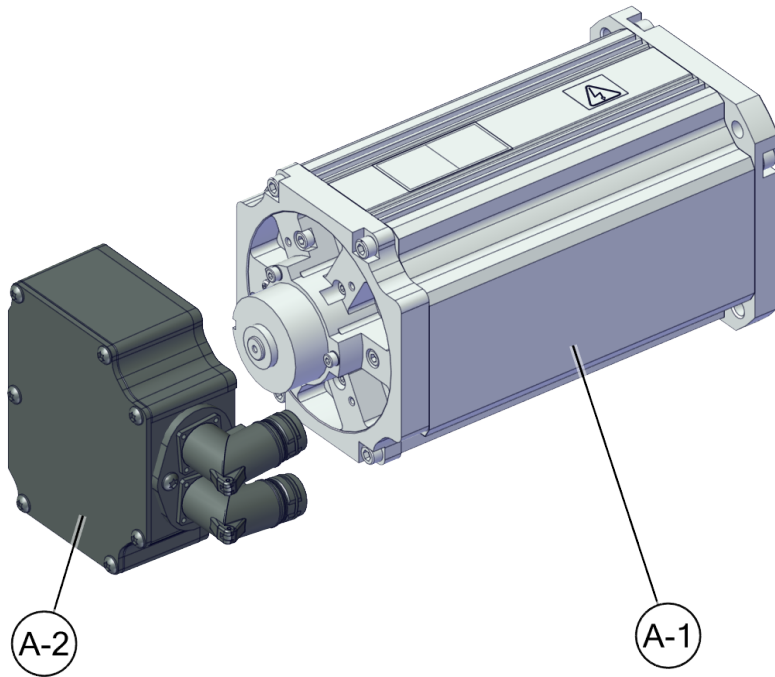
xx2400000725

*Continues on next page*

# 1 Spare parts and exploded views

## 1.1.1 Drive parts

*Continued*



xx240000734

# 1 Spare parts and exploded views

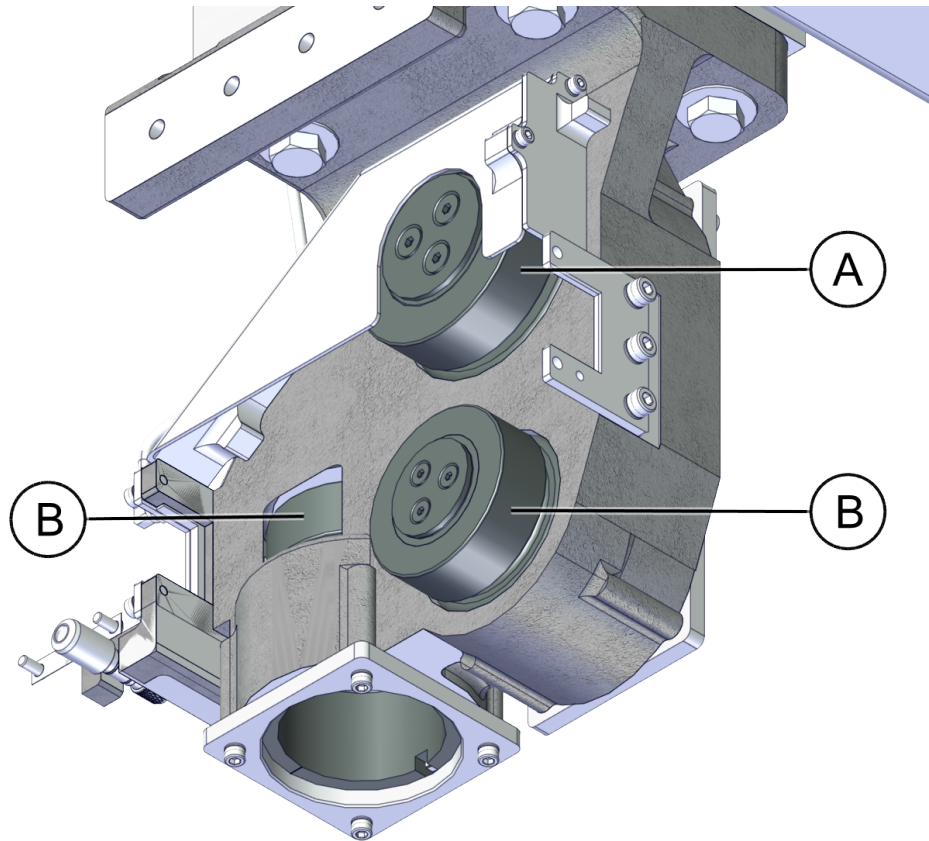
## 1.1.2 Cam roller unit parts

### 1.1.2 Cam roller unit parts

#### Spare part list

	Spare part number	Description	Spare part level
A	3HKA00000186268	110MM Cam roller holder unit	
B	3HKA00000186275	90MM Cam roller holder unit	

#### Spare part illustration



xx2200000630

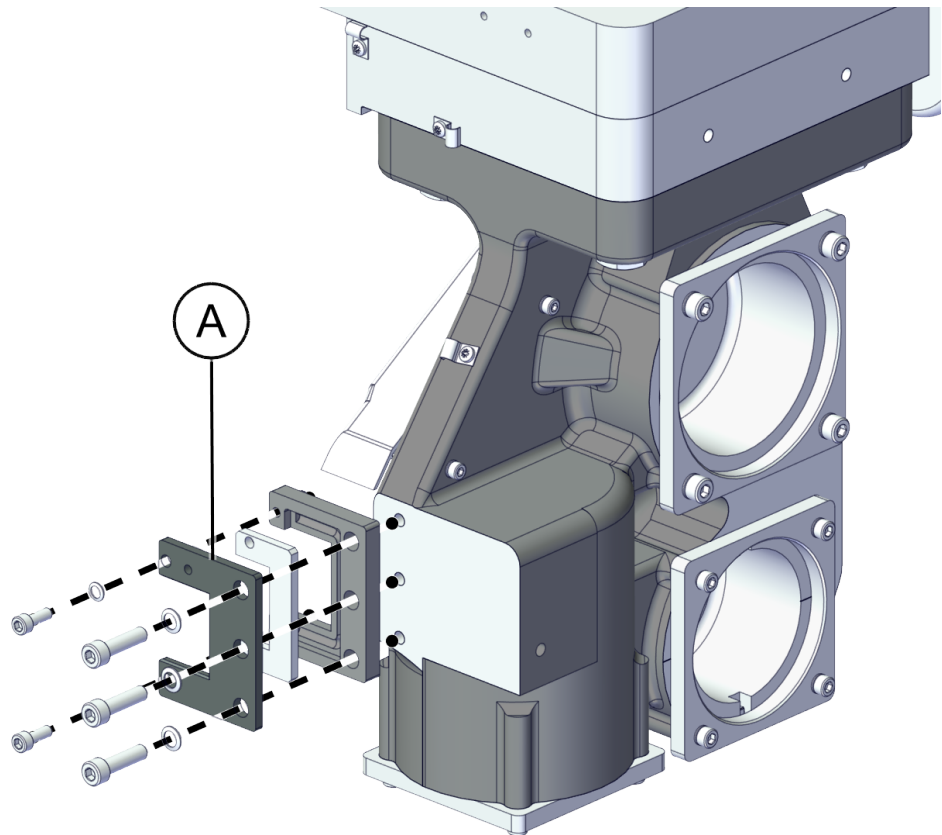
### 1.1.3 Scraper unit parts

#### Spare part list

	Spare part number	Description	Spare part level
A	3HKA00000186288	Scraper	
-	3HKA00000189959	Scraper kit <sup>i</sup>	

<sup>i</sup> Contain one scraper, one felt wiper and one scraper bracket.

#### Spare part illustration



xx2200001163

# 1 Spare parts and exploded views

## 1.1.4 Calibration kit parts

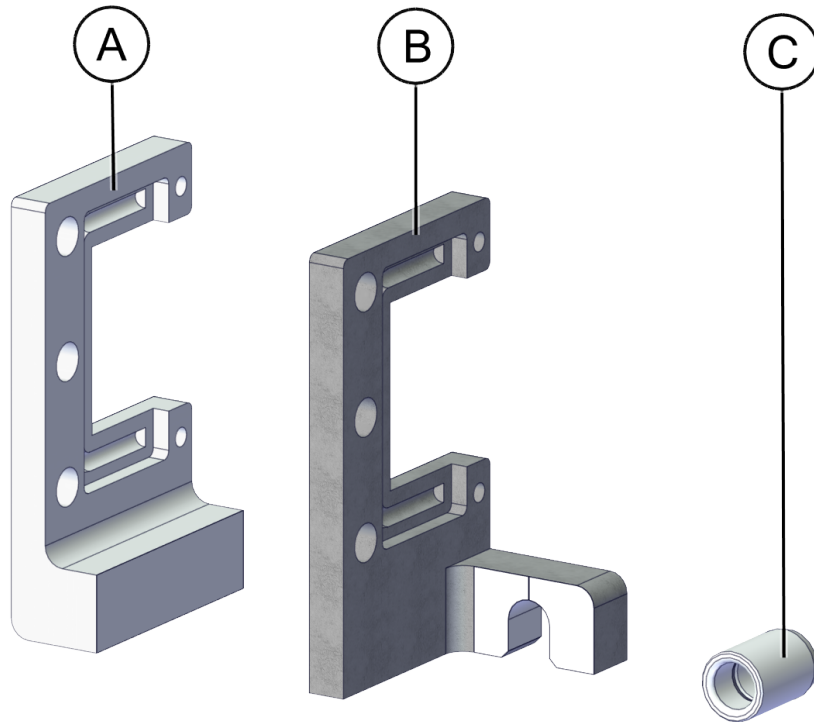
### 1.1.4 Calibration kit parts

#### Spare part list

	Spare part number	Description	Spare part level
A	3HKA00000190635	Axial calibration kit <sup>i</sup>	
-	3HKA00000190636	Mirrored axial calibration kit <sup>ii</sup>	
B	3HKA00000190637	Pin calibration kit <sup>iii</sup>	
-	3HKA00000190638	Mirrored pin calibration kit <sup>iv</sup>	
C	3HAC052993-001	Calibration bushing	

- i Contain one scrapper, one felt wiper and one axial calibration scrapper bracket.
- ii Contain one scrapper, one felt wiper and one mirrored axial calibration scrapper bracket.
- iii Contain one scrapper, one felt wiper and one pin calibration scrapper bracket.
- iv Contain one scrapper, one felt wiper and one mirrored pin calibration scrapper bracket.

#### Spare part illustration



xx2200001164

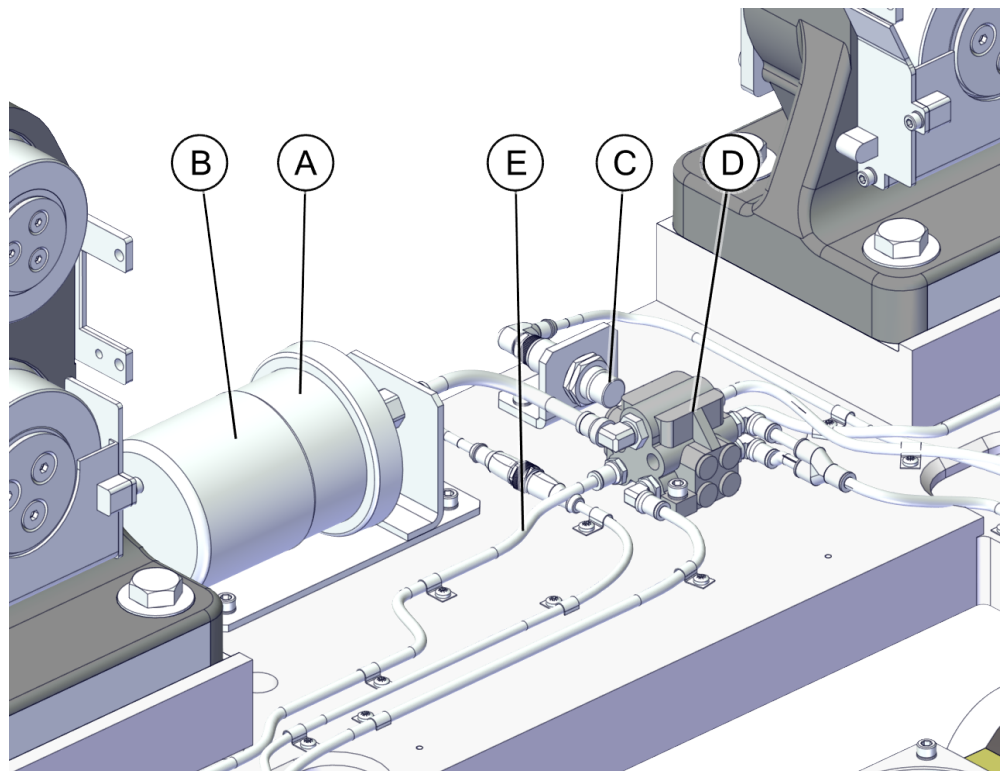


### 1.1.5 Lubrication parts

#### Spare part list

	Spare part number	Description	Spare part level
A	3HAW060012002	Grease pump EPS 24V MEGA	
	3HAWC114278	Grease pump HPS MEGA	
B	3HKA00000191156	240cc grease cartridge PD0-240	
	3HAWC116978	240cc grease cartridge and battery	
C	3HAW050040467	Grease detection sensor	
D	3HAWC116979	Distributor 6 ways	
E	3HAWC116982	Polyamide tube 6x8 L=0.3M 1025 U08 R01	
	3HAWC116981	Polyamide tube 4x6 L=8M 1025P06 00	

#### Spare part illustration



xx2200000820

# 1 Spare parts and exploded views

## 1.2.1 Track parts

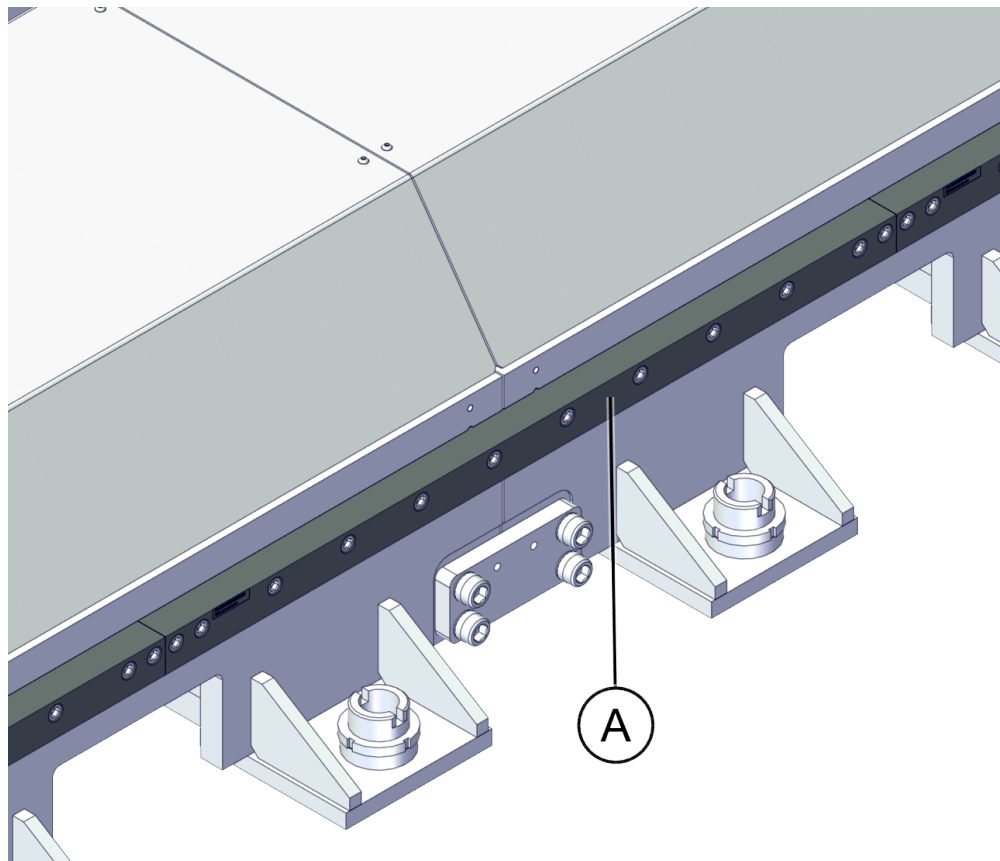
## 1.2 Spare parts - track parts

### 1.2.1 Track parts

#### Spare part list

	Spare part number	Description	Spare part level
A	3HKA00000190206	Retangular rail L=0.5M kit	
	3HKA00000190201	Retangular rail L=1M kit	
B	3HKA00000186246	Rack L=0.5M	
	3HKA00000186248	Rack L=1M	
C	3HKA00000186228	Bumper	
D	3HKA00000190639	Bumper kit	
	3HKA00000190648	Mirrored bumper kit	

#### Spare part illustration



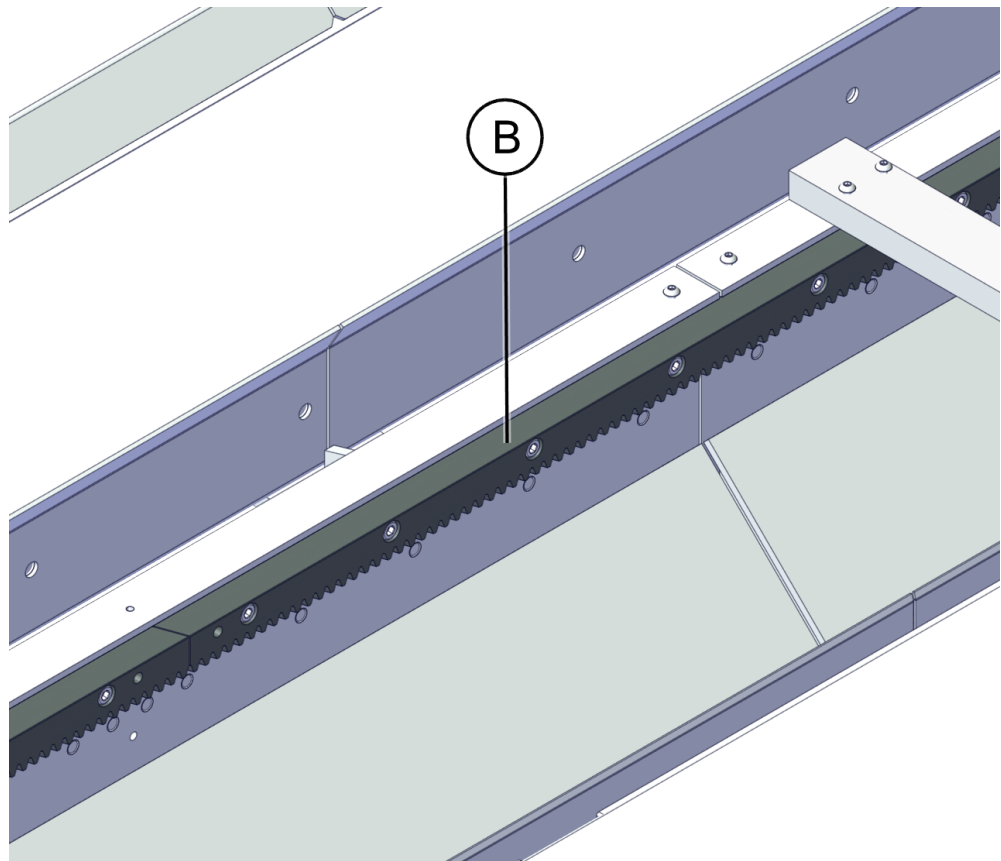
xx2200001288

Continues on next page

# 1 Spare parts and exploded views

## 1.2.1 Track parts

*Continued*



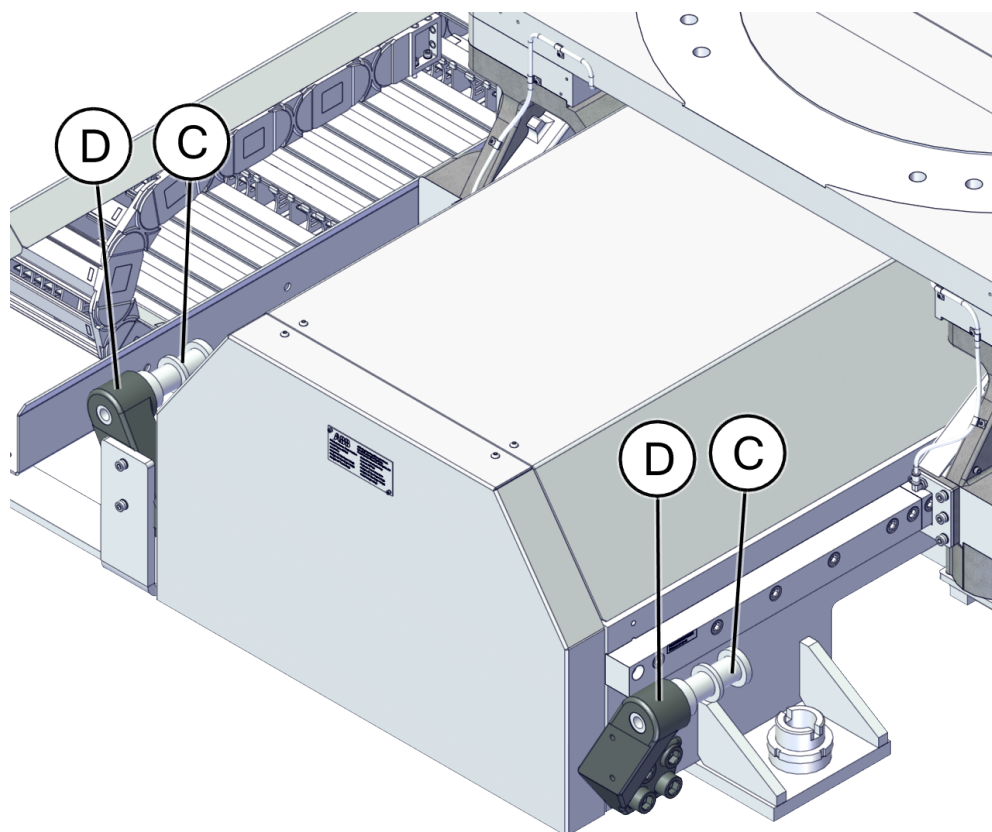
xx2200001289

*Continues on next page*

# 1 Spare parts and exploded views

## 1.2.1 Track parts

*Continued*



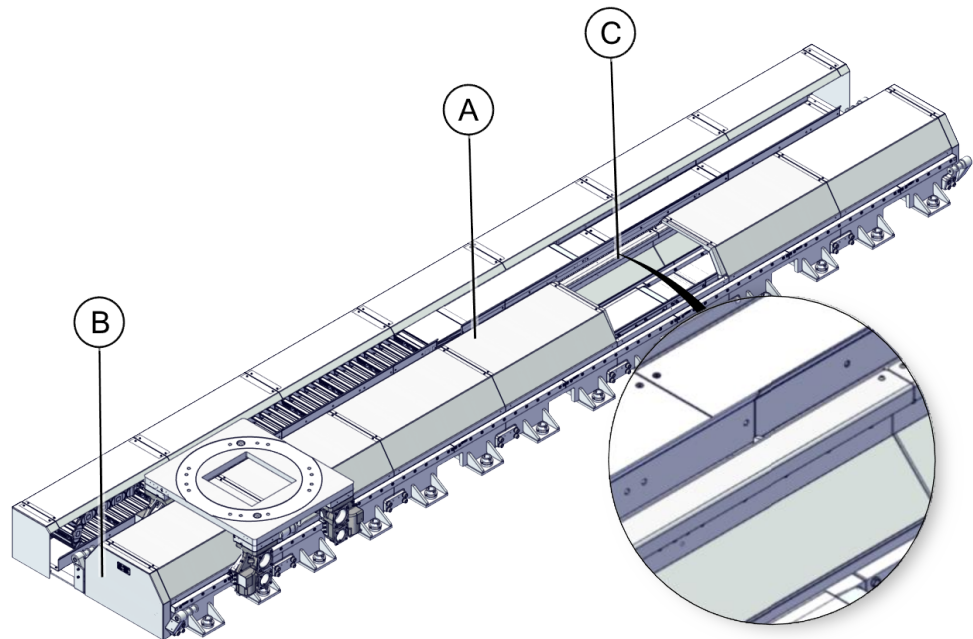
xx2200001290

### 1.2.2 Cover parts

#### Spare part list

	Spare part number	Description	Spare part level
A	3HKA00000186234A	Track cover L=1M (graphite white color)	
	3HKA00000186234B	Track cover L=1M (orange color)	
	3HKA00000186240A	Track cover L=1.5M (graphite white color)	
	3HKA00000186240B	Track cover L=1.5M (orange color)	
B	3HKA00000186231A	Terminal cover (graphite white color)	
	3HKA00000186231B	Terminal cover (orange color)	
C	3HKA00000186236A	Rack cover L=1M (graphite white color)	
	3HKA00000186236B	Rack cover L=1M (orange color)	
	3HKA00000186243A	Rack cover L=1.5M (graphite white color)	
	3HKA00000186243B	Rack cover L=1.5M (orange color)	

#### Spare part illustration



xx220000827

# 1 Spare parts and exploded views

## 1.3.1 Cable chain parts

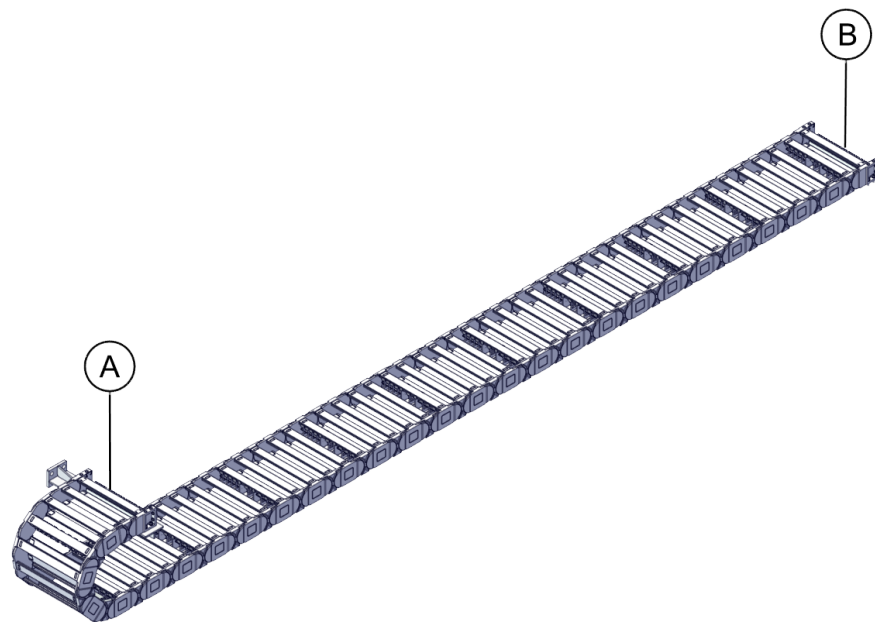
### 1.3 Spare parts - cable chain parts

#### 1.3.1 Cable chain parts

##### Spare part list

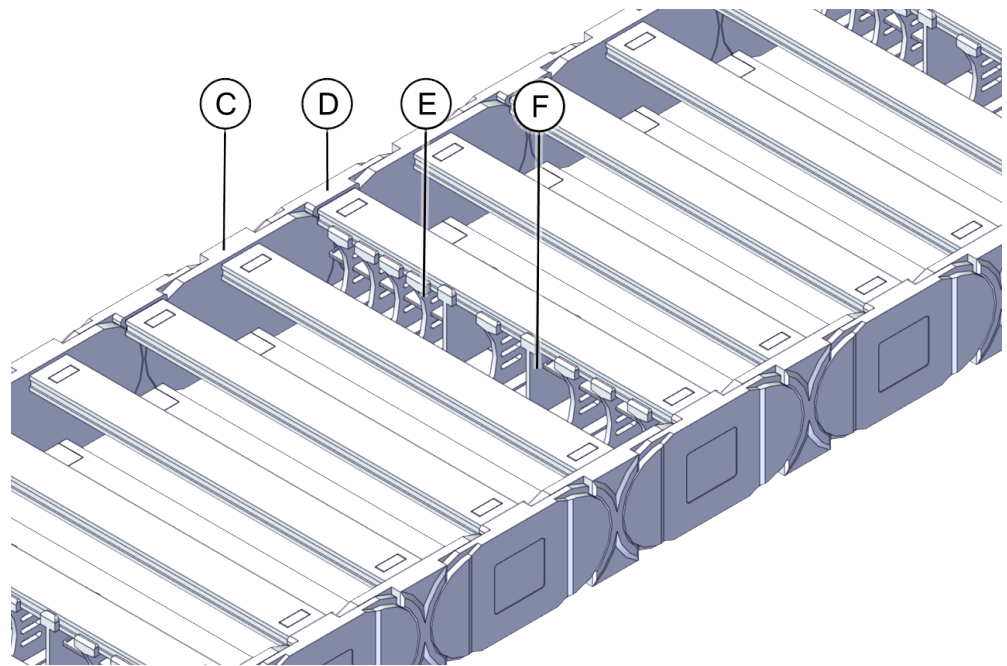
	Spare part number	Description	Spare part level
A	3HKA00000191016	Movable chain end	
B	3HKA00000191015	Fixed chain end	
C	3HKA00000191011	Inner cable chain link	
D	3HKA00000191012	Outer cable chain link	
E	3HKA00000191013	Small vertical separator	
F	3HKA00000191014	Big vertical separator	

##### Spare part illustration



xx2200000840

*Continues on next page*

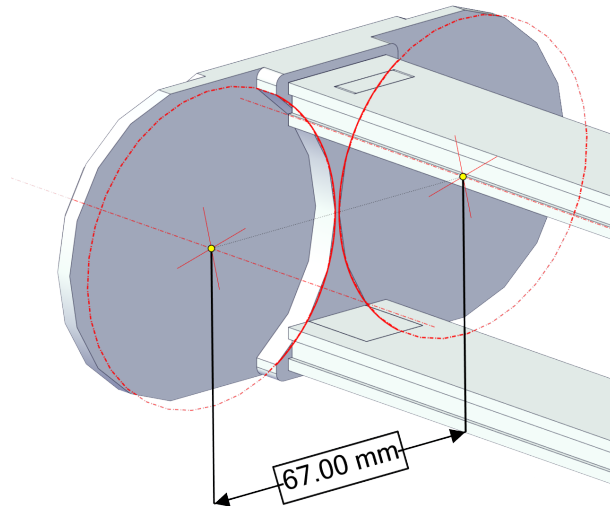


xx220000844



### Tip

The pinch of each chain link is 67 mm. There are fifteen chain links for one meter cable chain.



xx2200001284

# 1 Spare parts and exploded views

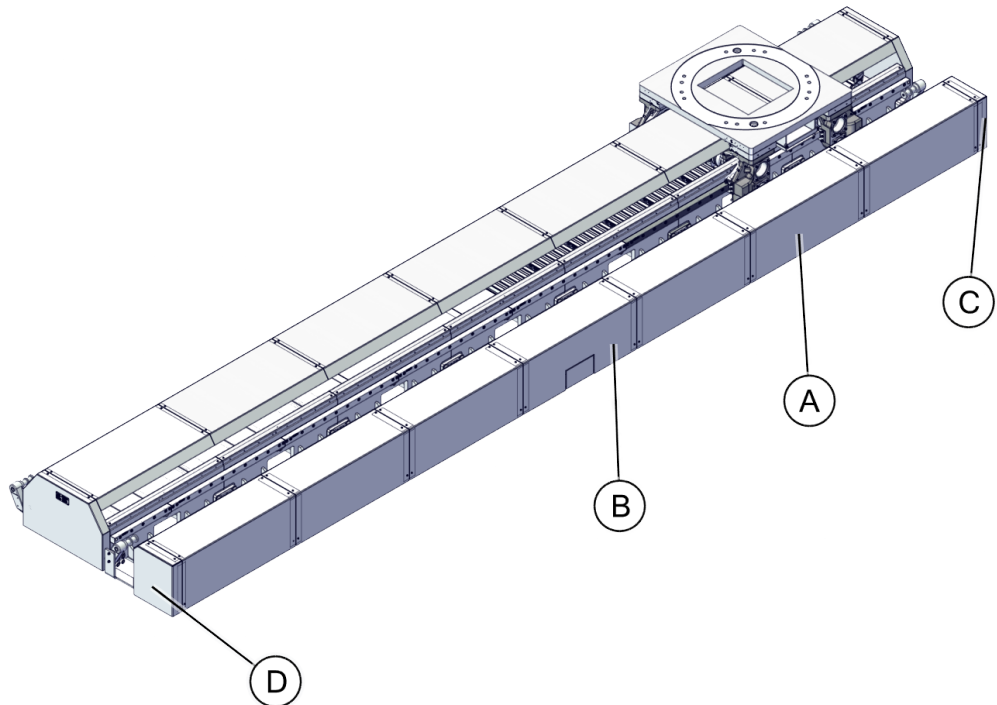
## 1.3.2 Cable chain cover parts

### 1.3.2 Cable chain cover parts

#### Spare part list

	Spare part number	Description	Spare part level
A	3HKA00000189971A	External cable chain cover L=1M (graphite white color)	
	3HKA00000189971B	External cable chain cover L=1M (orange color)	
	3HKA00000189972A	External cable chain cover L=1.5M (graphite white color)	
	3HKA00000189972B	External cable chain cover L=1.5M (orange color)	
B	3HKA00000191582A	External cable chain cover (graphite white color)	
	3HKA00000191582B	External cable chain cover (orange color)	
C	3HKA00000189973A	External cable chain terminal cover (graphite white color)	
	3HKA00000189973B	External cable chain terminal cover (orange color)	
D	3HKA00000189974A	Mirrored external cable chain terminal cover (graphite white color)	
	3HKA00000189974B	Mirrored external cable chain terminal cover (orange color)	

#### Spare part illustration



xx2200000828



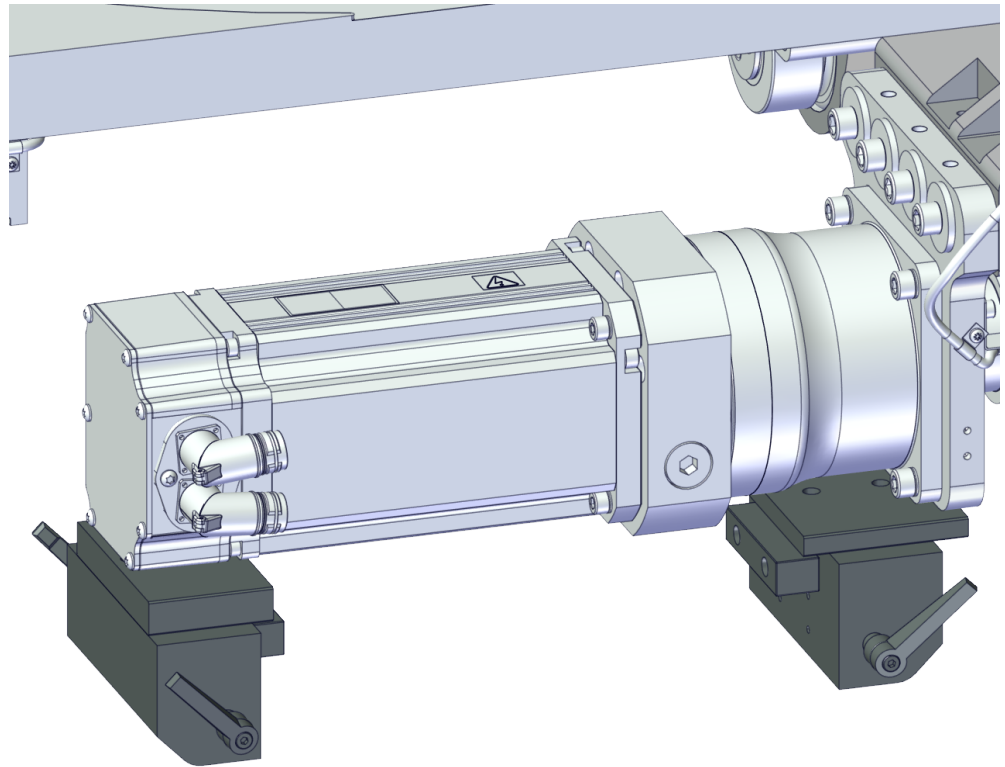
### 1.4 Spare parts - tool parts

#### 1.4.1 Reducer uninstall tool unit

##### Spare part list

	Spare part number	Description	Spare part level
-	3HKA00000192850	Reducer uninstall tool unit	

##### Spare part illustration



xx2400000726

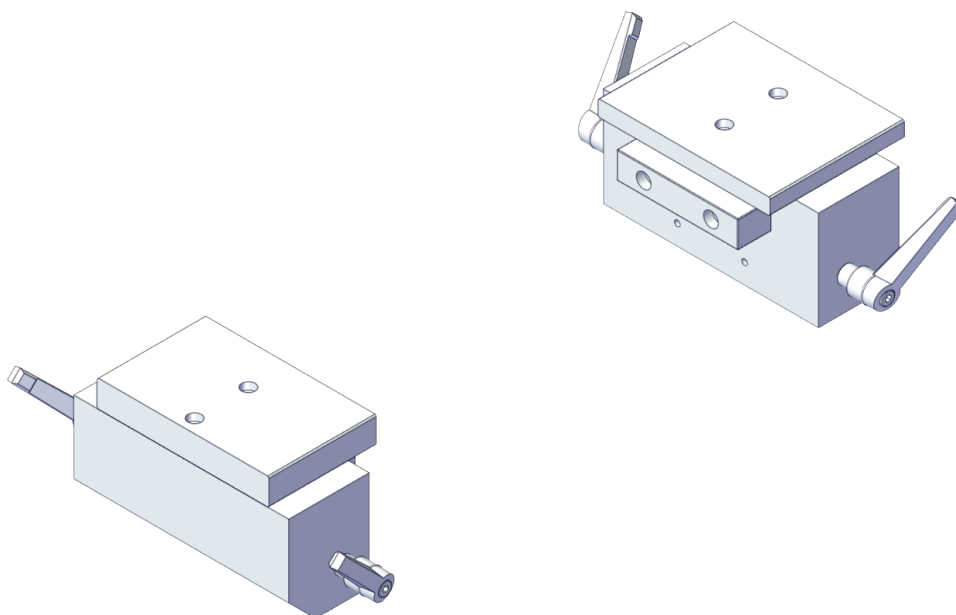
*Continues on next page*

# 1 Spare parts and exploded views

---

## 1.4.1 Reducer uninstall tool unit

*Continued*



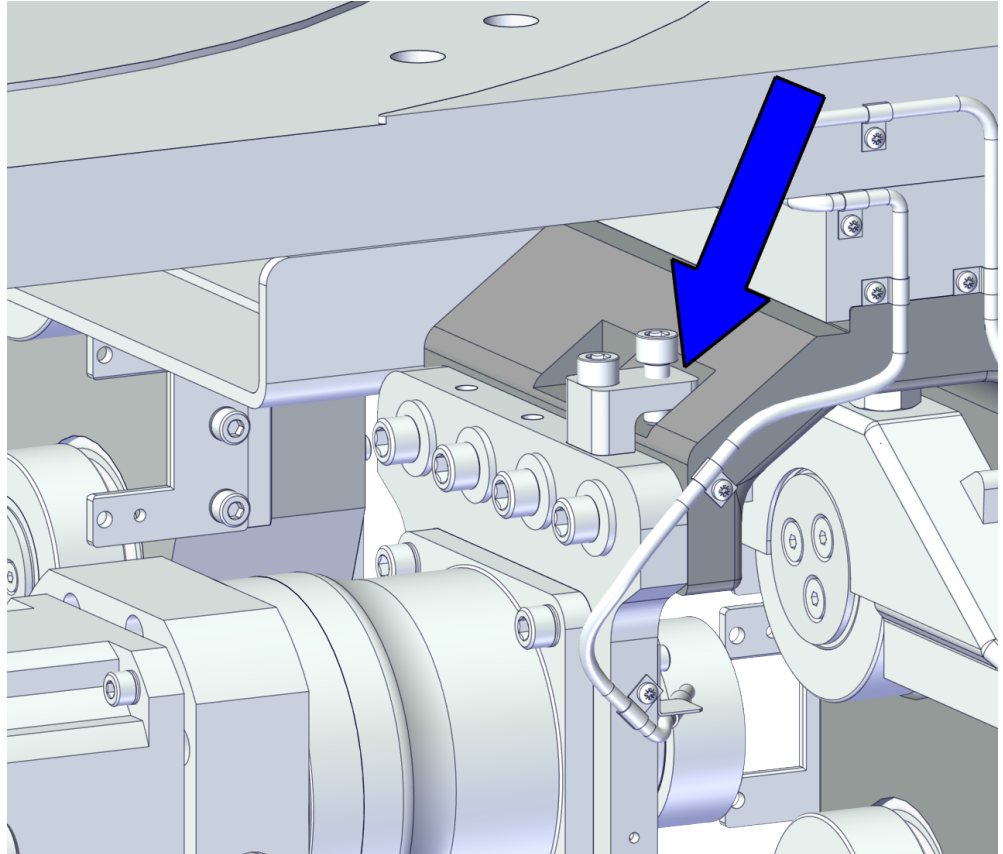
xx2200001166

### 1.4.2 Reducer backlash adjust tool

#### Spare part list

	Spare part number	Description	Spare part level
-	3HKA00000189964	Reducer backlash adjust tool	

#### Spare part illustration



xx2200001167

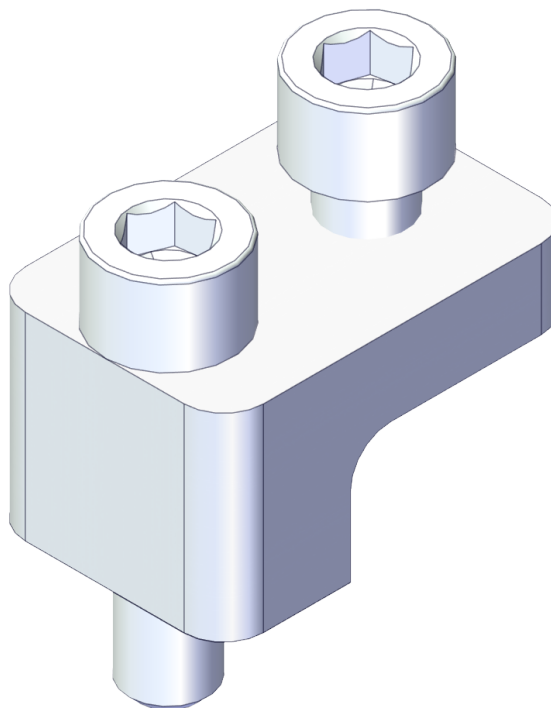
*Continues on next page*

# 1 Spare parts and exploded views

---

## 1.4.2 Reducer backlash adjust tool

*Continued*



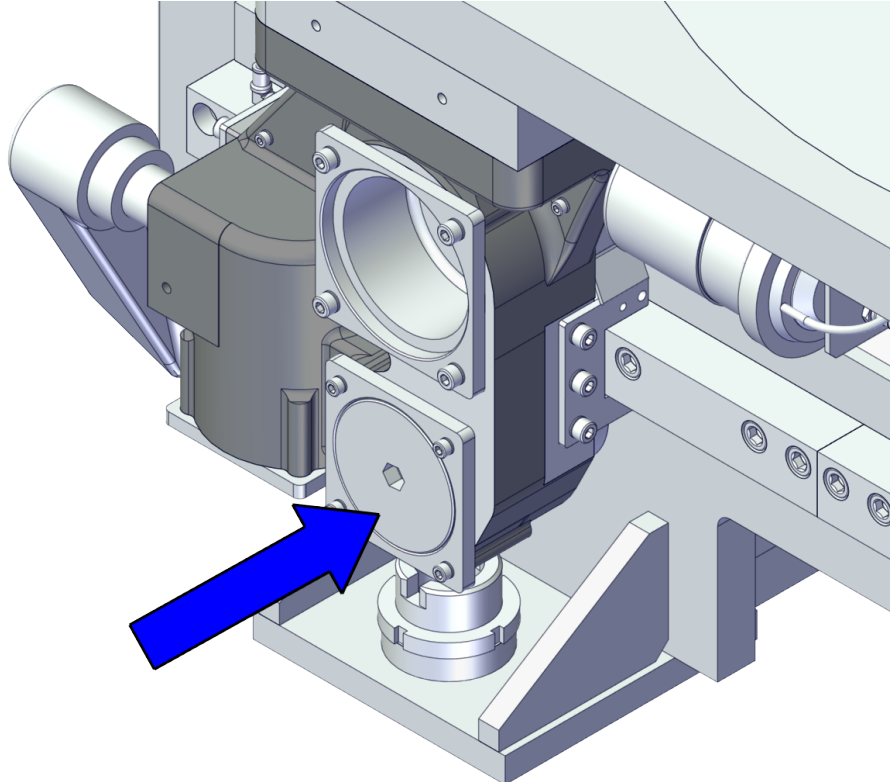
xx2200001168

### 1.4.3 Cam roller adjust tool

#### Spare part list

	Spare part number	Description	Spare part level
-	3HKA00000189966	Cam roller adjust tool	

#### Spare part illustration



xx240000727

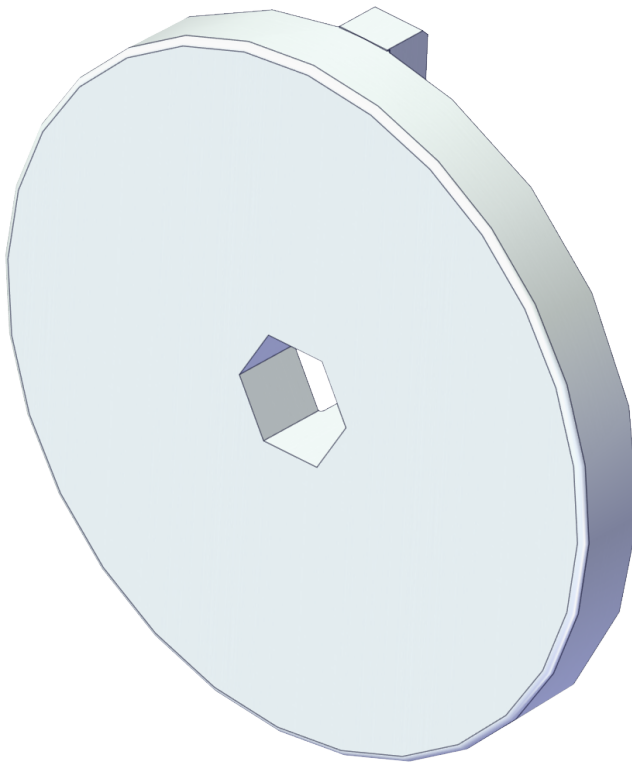
*Continues on next page*

## 1 Spare parts and exploded views

---

### 1.4.3 Cam roller adjust tool

*Continued*



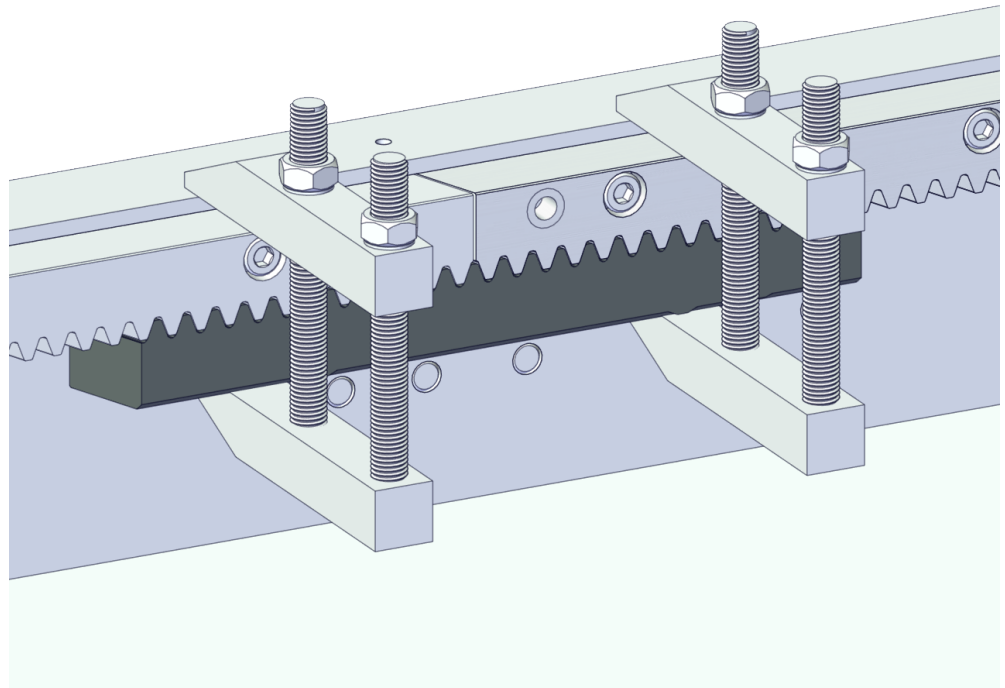
xx2200001169

### 1.4.4 Rack mounting block

#### Spare part list

	Spare part number	Description	Spare part level
-	3HAWL000011	Rack mounting block	

#### Spare part illustration



xx2200001170

# 1 Spare parts and exploded views

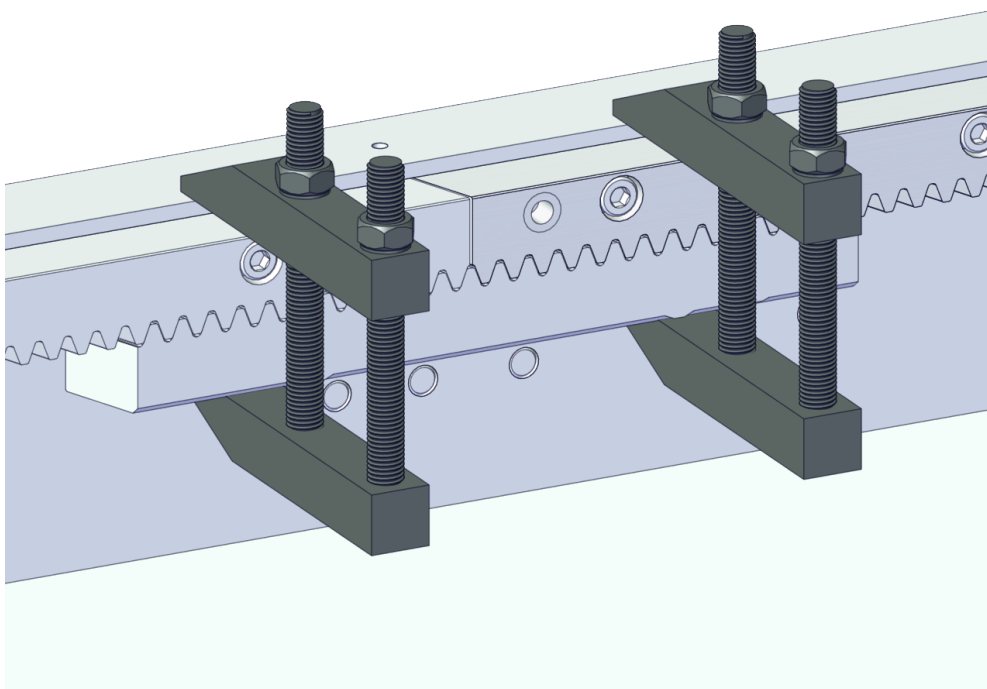
## 1.4.5 Rack clamps

### 1.4.5 Rack clamps

#### Spare part list

	Spare part number	Description	Spare part level
-	3HAW107700357	Rack clamps	

#### Spare part illustration



xx2200001171

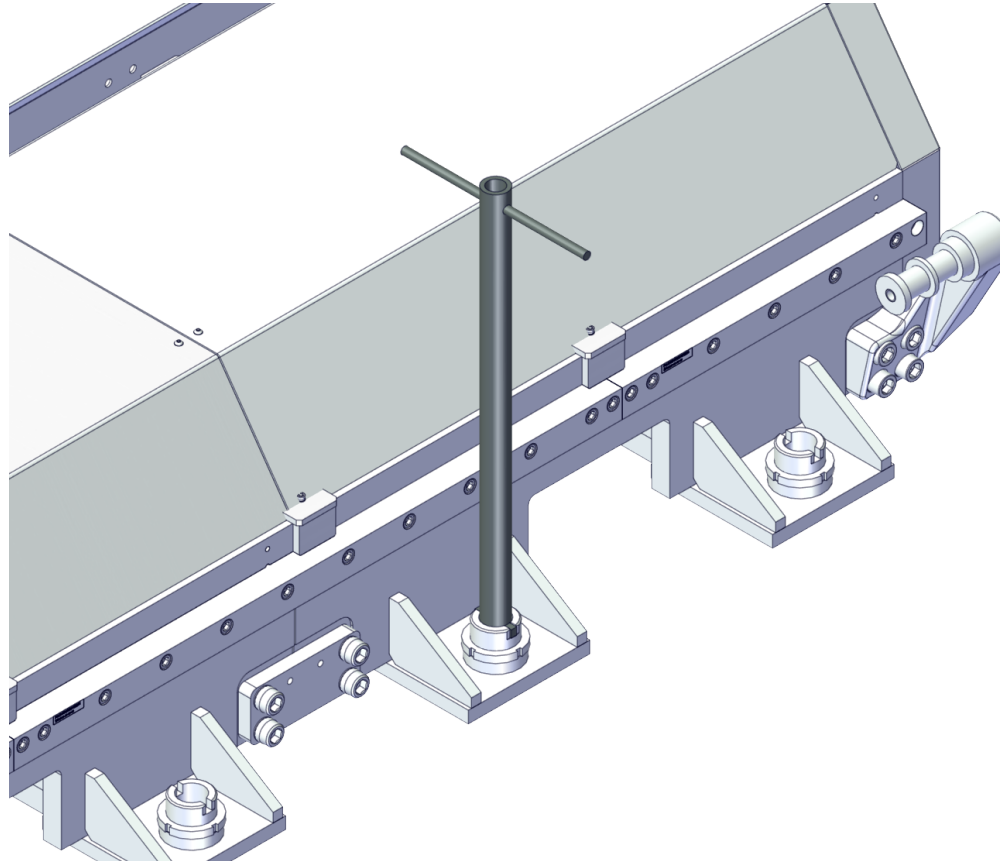


### 1.4.6 Levelling tool

#### Spare part list

	Spare part number	Description	Spare part level
-	3HAW107700360	Levelling tool	

#### Spare part illustration



xx2200001172

# 1 Spare parts and exploded views

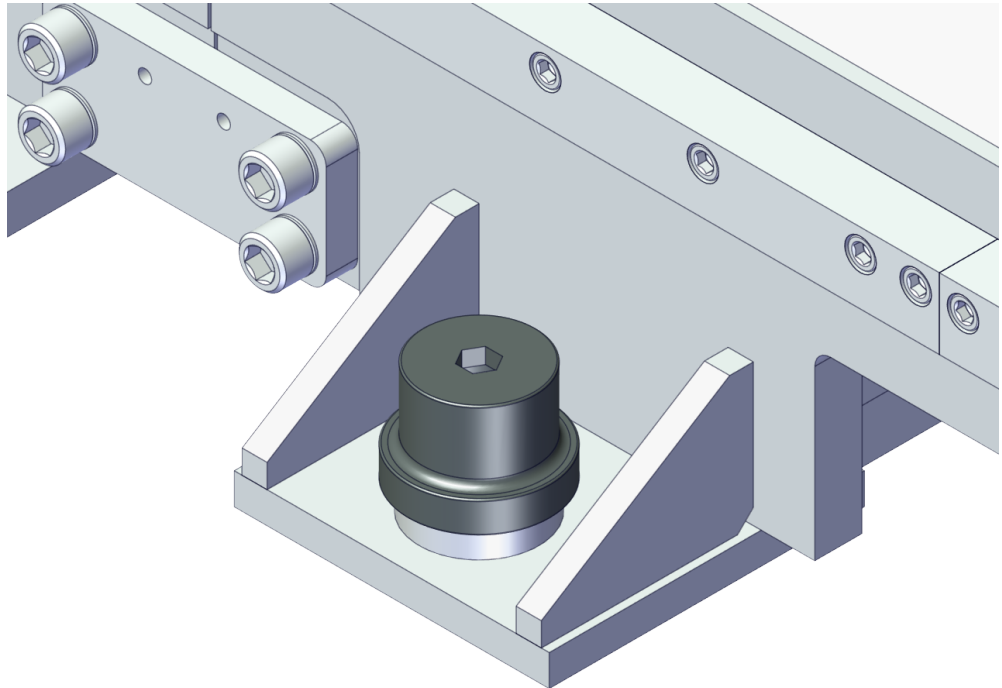
## 1.4.7 Tool for levelling screw nut tightening

### 1.4.7 Tool for levelling screw nut tightening

#### Spare part list

	Spare part number	Description	Spare part level
-	3HKA00000216892	Tool for levelling screw nut tightening	

#### Spare part illustration



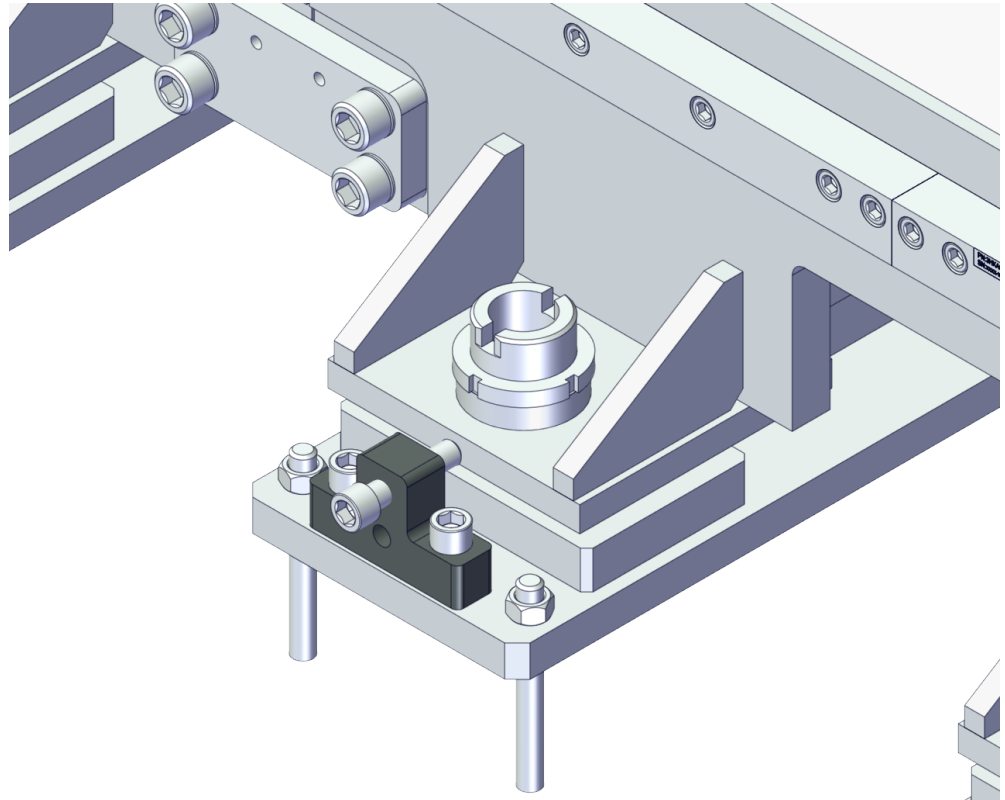
xx2200001189

1.4.8 Axis Y adjusting tool

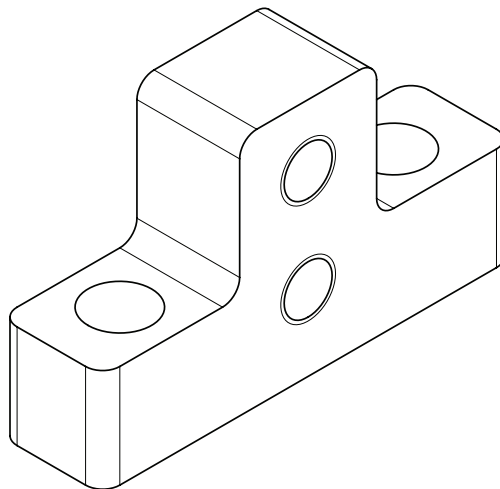
Spare part list

	Spare part number	Description	Spare part level
-	3HKA00000192738	Axis Y adjusting tool	

Spare part illustration



xx240000728



xx240000487

# 1 Spare parts and exploded views

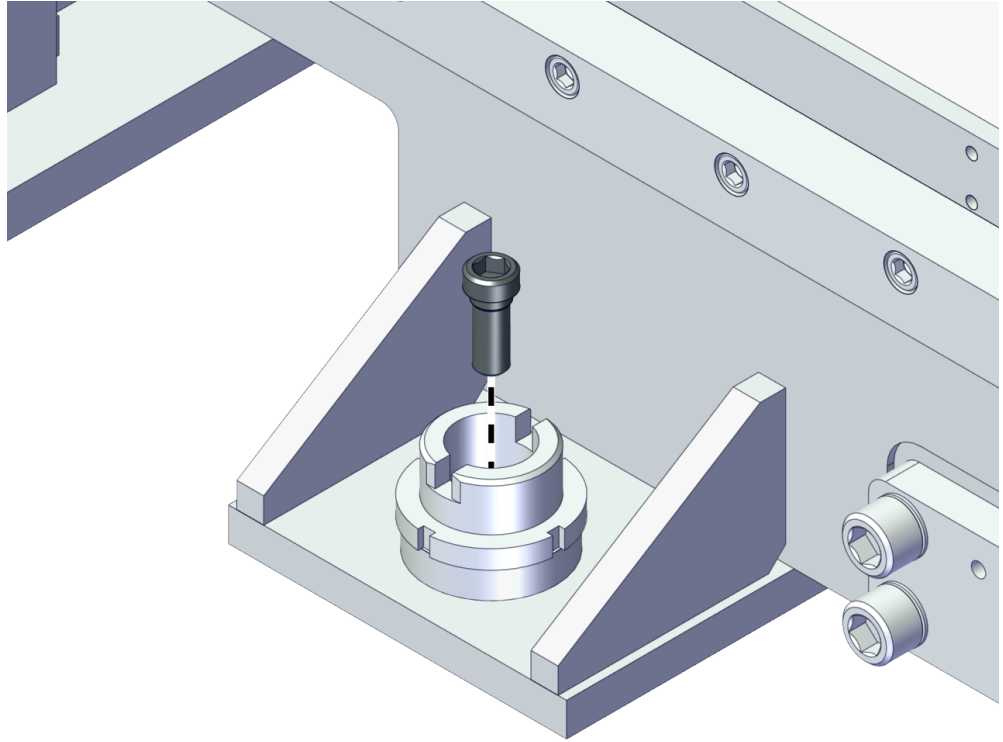
## 1.4.9 Tooling bolt M16x35

## 1.4.9 Tooling bolt M16x35

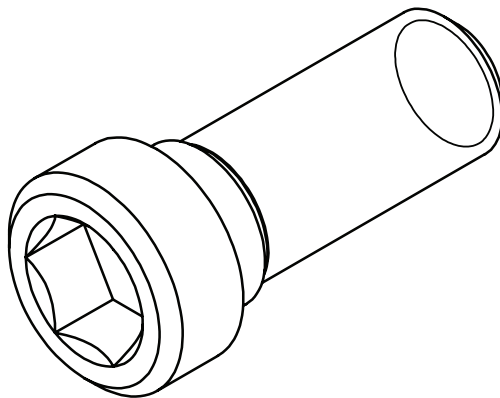
### Spare part list

	Spare part number	Description	Spare part level
-	3HKA00000216860	Tooling bolt M16x35	

### Spare part illustration



xx2400000729



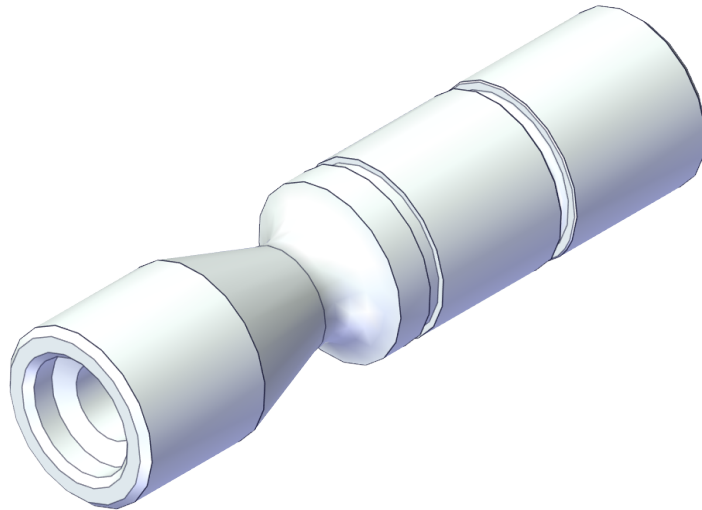
xx2400000488

### 1.4.10 Calibration tool 12 mm

#### Spare part list

	Spare part number	Description	Spare part level
-	3HAC055412-001	Calibration toolbox, Axis Calibration Delivered as a set of calibration tools. Required if Axis Calibration is the valid calibration method for the robot.	

#### Spare part illustration



xx2200001173

# 1 Spare parts and exploded views

---

## 1.4.11 Calibration pin 12 mm

### 1.4.11 Calibration pin 12 mm

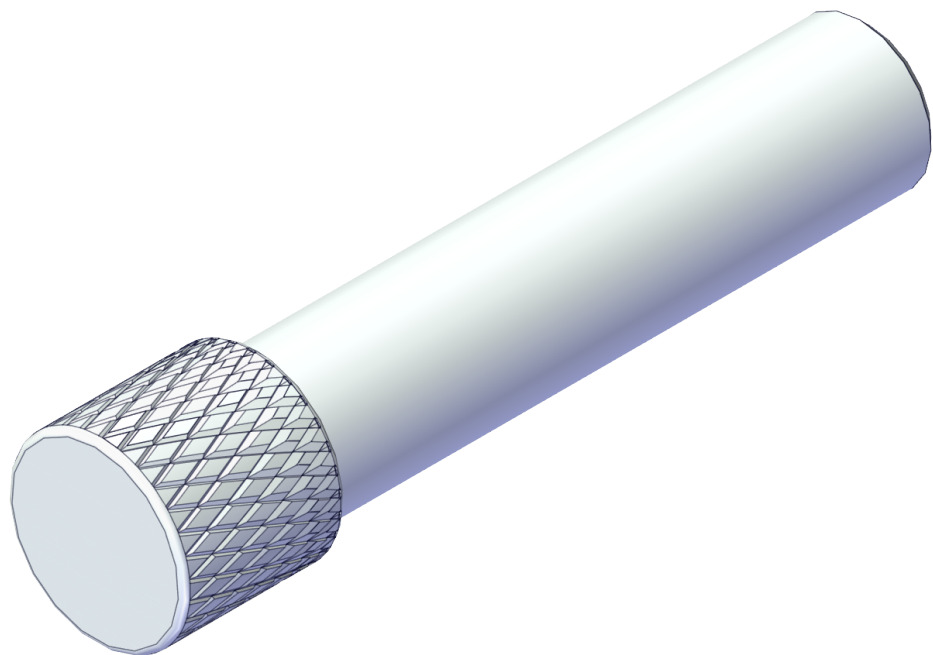
---

#### Spare part list

	Spare part number	Description	Spare part level
-	3HKA00000190563	Calibration pin 12 mm	

---

#### Spare part illustration



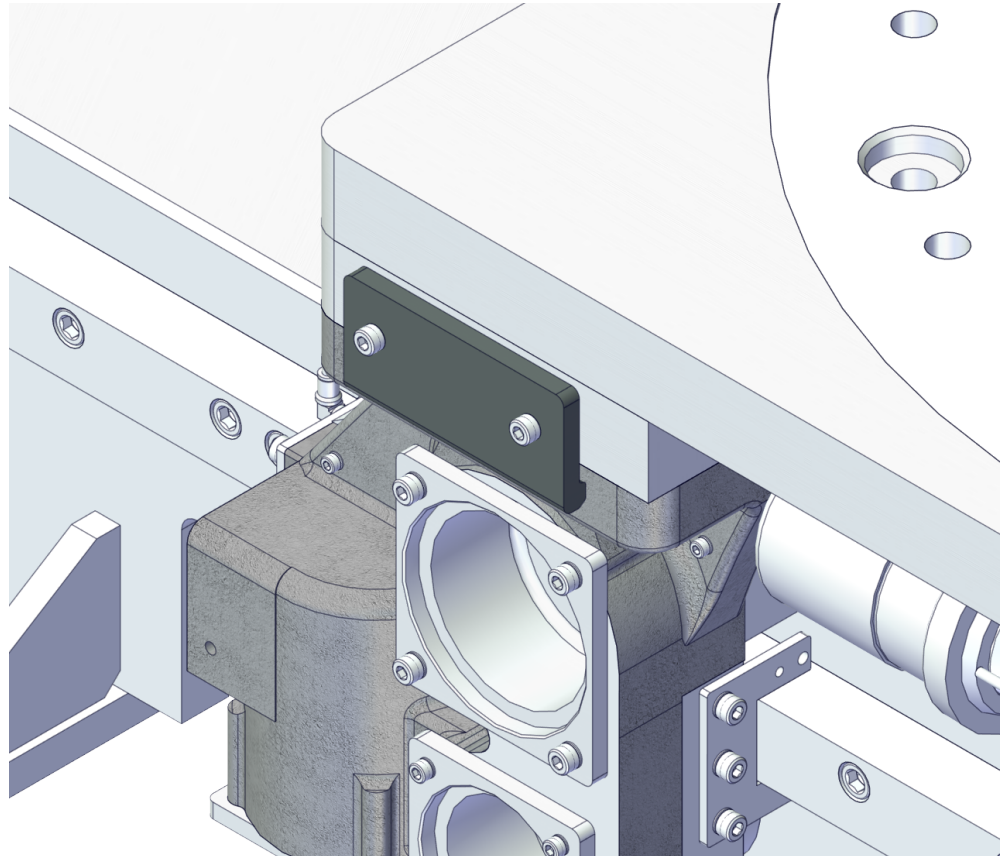
xx2200001174

### 1.4.12 Roller support block

#### Spare part list

	Spare part number	Description	Spare part level
-	3HKA00000186540	Roller support block	

#### Spare part illustration



xx2200001191

# 1 Spare parts and exploded views

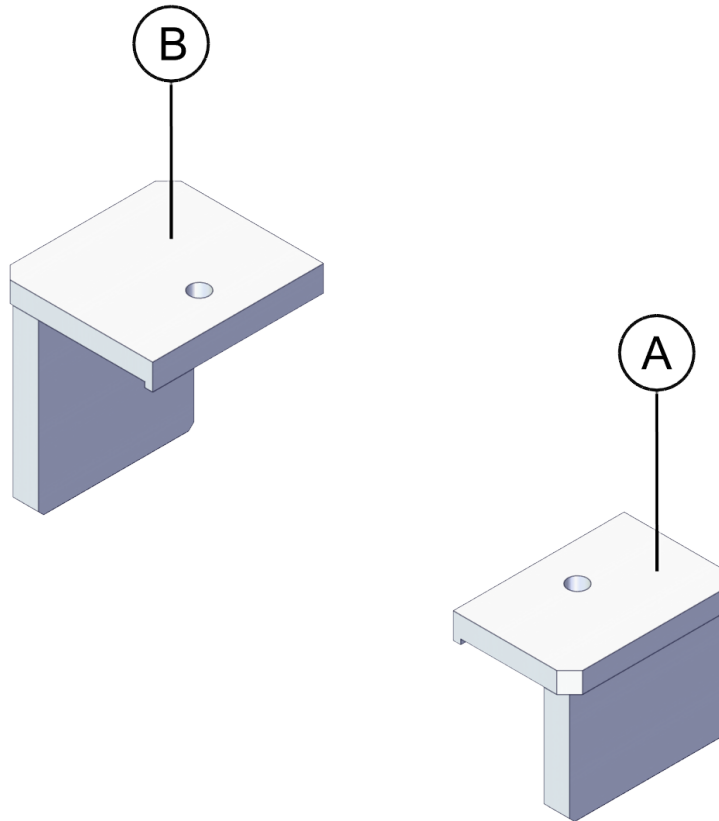
## 1.4.13 Rail tool

### 1.4.13 Rail tool

#### Spare part list

	Spare part number	Description	Spare part level
A	3HKA00000189982	Rail tool (Non-rack side)	
B	3HKA00000189983	Rail tool (Rack side)	

#### Spare part illustration



xx2200001179



### 1.5 Spare parts - electrical parts

#### Cable lengths

Flexible cables are mounted in the cable chain of the track motion. The tables show the cable lengths required for different connections with different travel lengths.

The cables are divided into following tables:

- IRB Power cables: handles power supply to the motors of the robot.
- IRT Power cables: handles power supply to the motor of the track motion.
- IRB/IRT Signal cables: handles feedback from the serial measurement board.
- Position switch cables: handles supply to and feedback from position switches, if any.
- Customer cables: handles communication with equipment fitted on robot.



#### Tip

Please contact EDP CustomerSupport (EDP.CustomerSupport@cn.abb.com) if the selected option is as below :

- Floor cable length is 22 m and track model number is 4 and above.
- Floor cable length is 15 m and track model number is 18 and above.

*Continues on next page*

# 1 Spare parts and exploded views

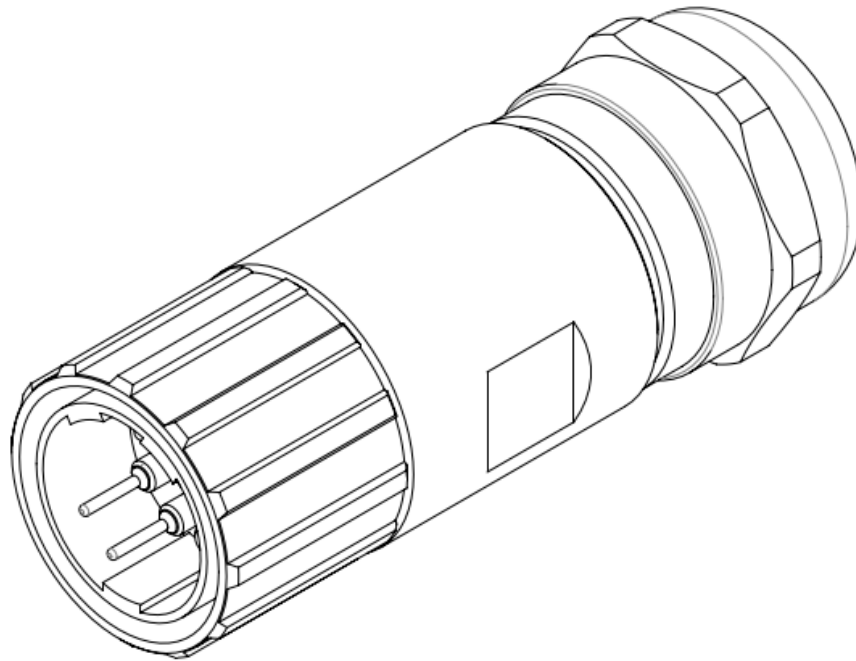
## 1.5.1 Spare parts - MCB parts

### 1.5.1 Spare parts - MCB parts

#### MCB parts

	Spare part number	Description	Track Motor	IRB 7600	IRB 6740	IRB 6730	IRB 6720	IRB 6710	IRB 6700	IRB 6650S	IRB 5720	IRB 5710	IRB 4600	IRB 4400	IRB 760	IRB 660	IRB 460
			X	X	X	X	X	X	X	X	X	X	X	X	X	X	X
-	3HAC087715-001	PTC Shunts	X	X	X	X	X	X	X	X	X	X	X	X	X	X	X

#### Spare part illustration



xx2400000700

**1.5.2 Spare parts - Motor cables**

---

**Power cable - static**

*Continues on next page*

# 1 Spare parts and exploded views

## 1.5.2 Spare parts - Motor cables

	Spare part number	Description	Track Motor	IRB 7600	IRB 6740	IRB 6730	IRB 6720	IRB 6710	IRB 6700	IRB 6650S	IRB 5720	IRB 5710	IRB 4600	IRB 4400	IRB 760	IRB 660	IRB 460
A	3HAC087425-001	Power static harness 7 m m	X														
	3HAC087425-011	Power static harness 15 m m	X														
	3HAC087425-012	Power static harness 22 m m	X														

Continues on next page



### Note

Riser equipped mirrored or double track motions for IRB 6700 and IRB 7600 require extra cable length of 1 m in the fixed end to achieve a recommended bending radius.

Start with choosing a cable length based on travel length, then order the cable that is 1 m longer.

---

### Power cable - Flexible

*Continues on next page*

# 1 Spare parts and exploded views

## 1.5.2 Spare parts - Motor cables

	Spare part number	Description	Track Motor	IRB 7600	IRB 6740	IRB 6730	IRB 6720	IRB 6710	IRB 6700	IRB 6650S	IRB 5720	IRB 5710	IRB 4600	IRB 4400	IRB 760	IRB 660	IRB 460
A	3HAC088222-011	Power moving cable 9m	X														
	3HAC088222-015	Power moving cable 11m	X														
	3HAC088222-012	Power moving cable 13m	X														
	3HAC088222-016	Power moving cable 15m	X														
	3HAC088222-017	Power moving cable 17m	X														
	3HAC088222-018	Power moving cable 19m	X														
B	3HAW050008620-009	IRB460/4600/66xx/6700/760/7600 movement power cable -9m		X	X	X	X	X	X	X	X	X	X		X	X	X
	3HAW050008620-011	IRB460/4600/66xx/6700/760/7600 movement power cable -11m		X	X	X	X	X	X	X	X	X	X		X	X	X
	3HAW050008620-013	IRB460/4600/66xx/6700/760/7600 movement power cable -13m		X	X	X	X	X	X	X	X	X	X		X	X	X
	3HAW050008620-015	IRB460/4600/66xx/6700/760/7600 movement power cable -15m		X	X	X	X	X	X	X	X	X	X		X	X	X
	3HAW050008620-017	IRB460/4600/66xx/6700/760/7600 movement power cable -17m		X	X	X	X	X	X	X	X	X	X		X	X	X
	3HAW050008620-019	IRB460/4600/66xx/6700/760/7600 movement power cable -19m		X	X	X	X	X	X	X	X	X	X		X	X	X
C	3HAW050008622-009	IRB4400 movement power cable -9m												X			
	3HAW050008622-011	IRB4400 movement power cable -11m												X			
	3HAW050008622-013	IRB4400 movement power cable -13m												X			
	3HAW050008622-015	IRB4400 movement power cable -15m												X			
	3HAW050008622-017	IRB4400 movement power cable -17m												X			
	3HAW050008622-019	IRB4400 movement power cable -19m												X			

Continues on next page



### Note

Riser equipped mirrored or double track motions for IRB 6700 and IRB 7600 require extra cable length of 1 m in the fixed end to achieve a recommended bending radius.

Start with choosing a cable length based on travel length, then order the cable that is 1 m longer.

---

### Resolver cable

*Continues on next page*

# 1 Spare parts and exploded views

## 1.5.2 Spare parts - Motor cables

	Spare part number	Description	Track Motor	IRB 7600	IRB 6740	IRB 6730	IRB 6720	IRB 6710	IRB 6700	IRB 6650S	IRB 5720	IRB 5710	IRB 4600	IRB 760	IRB 660	IRB 460
A	3HAC039602-001	FB Cable Box-Motor 3m	X													
	3HAC039602-017	FB Cable Box-Motor 9m	X													
	3HAC039602-011	FB Cable Box-Motor 11m	X													
	3HAC039602-018	FB Cable Box-Motor 13m	X													
	3HAC039602-003	FB Cable Box-Motor 15m	X													
	3HAC039602-021	FB Cable Box-Motor 17m	X													
	3HAC039602-022	FB Cable Box-Motor 19m	X													
B	3HEA802409-004	IRB 66xx/ 760/ 7600 movement resolver -9m		X						X				X	X	
	3HEA802409-006	IRB 66xx/ 760/ 7600 movement resolver -11m		X						X				X	X	
	3HEA802409-008	IRB 66xx/ 760/ 7600 movement resolver -13m		X						X				X	X	
	3HEA802409-010	IRB 66xx/ 760/ 7600 movement resolver -15m		X						X				X	X	
	3HEA802409-020	IRB 66xx/ 760/ 7600 movement resolver -17m		X						X				X	X	
	3HEA802409-016	IRB 66xx/ 760/ 7600 movement resolver -19m		X						X				X	X	
C	3HAC029834-004	Robot IRB 460/4600/6700 movement resolver -9m			X	X	X	X	X		X	X	X			X
	3HAC029834-006	Robot IRB 460/4600/6700 movement resolver -11m			X	X	X	X	X		X	X	X			X
	3HAC029834-008	Robot IRB 460/4600/6700 movement resolver -13m			X	X	X	X	X		X	X	X			X
	3HAC029834-010	Robot IRB 460/4600/6700 movement resolver -15m			X	X	X	X	X		X	X	X			X
	3HAC029834-014	Robot IRB 460/4600/6700 movement resolver -17m			X	X	X	X	X		X	X	X			X
	3HAC029834-020	Robot IRB 460/4600/6700 movement resolver -19m			X	X	X	X	X		X	X	X			X

Continues on next page



**1.5.3 Spare parts - Customer cables**

---

CP/CS

*Continues on next page*

# 1 Spare parts and exploded views

## 1.5.3 Spare parts - Customer cables

	Spare part number	Description	Track Motor	IRB 7600	IRB 6740	IRB 6730	IRB 6720	IRB 6710	IRB 6700	IRB 6650S	IRB 5720	IRB 5710	IRB 4600	IRB 4400	IRB 760	IRB 660	IRB 460
A	3HEA801277-005	Robot movement CP/CS Parallel -9m	X	X					X	X			X		X	X	X
	3HEA801277-007	Robot movement CP/CS Parallel -11m	X	X					X	X			X		X	X	X
	3HEA801277-010	Robot movement CP/CS Parallel -13m	X	X					X	X			X		X	X	X
	3HEA801277-012	Robot movement CP/CS Parallel -15m	X	X					X	X			X		X	X	X
	3HEA801277-019	Robot movement CP/CS Parallel -17m	X	X					X	X			X		X	X	X
	3HEA801277-020	Robot movement CP/CS Parallel -19m	X	X					X	X			X		X	X	X
B	3HEA801279-005	Robot movement CP/CS Devicenet -9m		X					X	X			X				
	3HEA801279-007	Robot movement CP/CS Devicenet -11m		X					X	X			X				
	3HEA801279-010	Robot movement CP/CS Devicenet -13m		X					X	X			X				
	3HEA801279-012	Robot movement CP/CS Devicenet -15m		X					X	X			X				
	3HEA801279-017	Robot movement CP/CS Devicenet -17m		X					X	X			X				
	3HEA801279-018	Robot movement CP/CS Devicenet -19m		X					X	X			X				
C	3HXD1296-90	CP/CS Cable for IRB 4400 -9m												X			
	3HXD1296-110	CP/CS Cable for IRB 4400 -11m												X			
	3HXD1296-130	CP/CS Cable for IRB 4400 -13m												X			
	3HXD1296-150	CP/CS Cable for IRB 4400 -15m												X			
	3HXD1296-170	CP/CS Cable for IRB 4400 -17m												X			
	3HXD1296-190	CP/CS Cable for IRB 4400 -19m												X			
D	3HAC090145-015	CP movement cable 9m			X	X	X	X			X	X					
	3HAC090145-011	CP movement cable 11m			X	X	X	X			X	X					
	3HAC090145-016	CP movement cable 13m			X	X	X	X			X	X					
	3HAC090145-012	CP movement cable 15m			X	X	X	X			X	X					
	3HAC090145-017	CP movement cable 17m			X	X	X	X			X	X					
	3HAC090145-018	CP movement cable 19m			X	X	X	X			X	X					
E	3HAC090146-015	CS movement cable 9m			X	X	X	X			X	X					
	3HAC090146-011	CS movement cable 11m			X	X	X	X			X	X					
	3HAC090146-016	CS movement cable 13m			X	X	X	X			X	X					
	3HAC090146-012	CS movement cable 15m			X	X	X	X			X	X					
	3HAC090146-017	CS movement cable 17m			X	X	X	X			X	X					
	3HAC090146-018	CS movement cable 19m			X	X	X	X			X	X					

Continues on next page

---

### Fieldbus cables 1

*Continues on next page*

# 1 Spare parts and exploded views

## 1.5.3 Spare parts - Customer cables

	Spare part number	Description	Track Motor	IRB 7600	IRB 6740	IRB 6730	IRB 6720	IRB 6710	IRB 6700	IRB 6650S	IRB 5720	IRB 5710	IRB 4600	IRB 4400	IRB 760	IRB 660	IRB 460
A	3HAC032951-004	Robot movement CP/CS Profinet -9m		X	X	X	X	X	X	X	X	X	X				
	3HAC032951-006	Robot movement CP/CS Profinet -11m		X	X	X	X	X	X	X	X	X	X				
	3HAC032951-008	Robot movement CP/CS Profinet -13m		X	X	X	X	X	X	X	X	X	X				
	3HAC032951-010	Robot movement CP/CS Profinet -15m		X	X	X	X	X	X	X	X	X	X				
	3HAC032951-022	Robot movement CP/CS Profinet -17m		X	X	X	X	X	X	X	X	X	X				
	3HAC032951-014	Robot movement CP/CS Profinet -19m		X	X	X	X	X	X	X	X	X	X				

Continues on next page

---

**Media hose**

*Continues on next page*

# 1 Spare parts and exploded views

## 1.5.3 Spare parts - Customer cables

	Spare part number	Description	Track Motor	IRB 7600	IRB 6740	IRB 6730	IRB 6720	IRB 6710	IRB 6700	IRB 6650S	IRB 5720	IRB 5710	IRB 4600	IRB 760	IRB 660	IRB 460
A	3HAW050008638-009	Air Pipe DN12 -9m (Red)		X	X	X	X	X	X	X	X	X				
	3HAW050008638-011	Air Pipe DN12 -11m (Red)		X	X	X	X	X	X	X	X	X				
	3HAW050008638-013	Air Pipe DN12 -13m (Red)		X	X	X	X	X	X	X	X	X				
	3HAW050008638-015	Air Pipe DN12 -15m (Red)		X	X	X	X	X	X	X	X	X				
	3HAW050008638-017	Air Pipe DN12 -17m (Red)		X	X	X	X	X	X	X	X	X				
	3HAW050008638-019	Air Pipe DN12 -19m (Red)		X	X	X	X	X	X	X	X	X				
B	3HAW060012115-009	Air Pipe or Water Pipe -9m (Blue)		X	X	X	X	X	X	X	X	X	X	X	X	X
	3HAW060012115-011	Air Pipe or Water Pipe -11m (Blue)		X	X	X	X	X	X	X	X	X	X	X	X	X
	3HAW060012115-013	Air Pipe or Water Pipe -13m (Blue)		X	X	X	X	X	X	X	X	X	X	X	X	X
	3HAW060012115-015	Air Pipe or Water Pipe -15m (Blue)		X	X	X	X	X	X	X	X	X	X	X	X	X
	3HAW060012115-017	Air Pipe or Water Pipe -17m (Blue)		X	X	X	X	X	X	X	X	X	X	X	X	X
	3HAW060012115-019	Air Pipe or Water Pipe -19m (Blue)		X	X	X	X	X	X	X	X	X	X	X	X	X
C	3HAW060012116-009	Air Pipe or Water Pipe -9m (Green)		X	X	X	X	X	X	X	X	X				
	3HAW060012116-011	Air Pipe or Water Pipe -11m (Green)		X	X	X	X	X	X	X	X	X				
	3HAW060012116-013	Air Pipe or Water Pipe -13m (Green)		X	X	X	X	X	X	X	X	X				
	3HAW060012116-015	Air Pipe or Water Pipe -15m (Green)		X	X	X	X	X	X	X	X	X				
	3HAW060012116-017	Air Pipe or Water Pipe -17m (Green)		X	X	X	X	X	X	X	X	X				
	3HAW060012116-019	Air Pipe or Water Pipe -19m (Green)		X	X	X	X	X	X	X	X	X				
D	3HAW060012119-009	Air Pipe or Water Pipe -9m (Black)		X	X	X	X	X	X	X	X	X				
	3HAW060012119-011	Air Pipe or Water Pipe -11m (Black)		X	X	X	X	X	X	X	X	X				
	3HAW060012119-013	Air Pipe or Water Pipe -13m (Black)		X	X	X	X	X	X	X	X	X				
	3HAW060012119-015	Air Pipe or Water Pipe -15m (Black)		X	X	X	X	X	X	X	X	X				
	3HAW060012119-017	Air Pipe or Water Pipe -17m (Black)		X	X	X	X	X	X	X	X	X				
	3HAW060012119-019	Air Pipe or Water Pipe -19m (Black)		X	X	X	X	X	X	X	X	X				

Continues on next page

### Spot welding support

	Spare part number	Description
A	3HAW050008628-009	Welding Power Track -9m
	3HAW050008628-011	Welding Power Track -11m
	3HAW050008628-013	Welding Power Track -13m
	3HAW050008628-015	Welding Power Track -15m
	3HAW050008628-017	Welding Power Track -17m
	3HAW050008628-019	Welding Power Track -19m
B	3HAC087642-015	Power Flexcable - 9m
	3HAC087642-011	Power Flexcable - 11m
	3HAC087642-016	Power Flexcable - 13m
	3HAC087642-012	Power Flexcable - 15m
	3HAC087642-017	Power Flexcable - 17m
	3HAC087642-018	Power Flexcable - 19m

# 1 Spare parts and exploded views

---

## 1.5.4 Spare parts - Lubrication cables

### 1.5.4 Spare parts - Lubrication cables

---

#### Lubrication cables

	Spare part number	Description
A	3HAC078287-001	Power cables for Lubrication 10m
	3HAC078306-001	Power cables for Lubrication 15m
	3HAC087783-001	Power cables for Lubrication 25m
B	3HKA00000190934	Power short cables for Lubrication 1.5m
C	3HKA00000190931-10	Signal cables for Lubrication check sensor -10m
	3HKA00000190931-15	Signal cables for Lubrication check sensor -15m
	3HKA00000190931-25	Signal cables for Lubrication check sensor -25m
D	3HKA00000190936	Signal short cables for Lubrication sensor check 1m



### 1.5.5 Spare parts - Grounding cables

#### Grounding

	Spare part number	Description
A	3HAW050008644-009	Tooling PE cable -9m
	3HAW050008644-011	Tooling PE cable -11m
	3HAW050008644-013	Tooling PE cable -13m
	3HAW050008644-015	Tooling PE cable -15m
	3HAW050008644-017	Tooling PE cable -17m
	3HAW050008644-019	Tooling PE cable -19m
B	3HAC060756-008	FE grounding cable, 9m
	3HAC060756-010	FE grounding cable, 11m
	3HAC060756-012	FE grounding cable, 13m
	3HAC060756-014	FE grounding cable, 15m
	3HAC060756-016	FE grounding cable, 17m
	3HAC060756-027	FE grounding cable, 19m







**ABB AB**

**Robotics & Discrete Automation**

S-721 68 VÄSTERÅS, Sweden

Telephone +46 10-732 50 00

**ABB AS**

**Robotics & Discrete Automation**

Nordlysvegen 7, N-4340 BRYNE, Norway

Box 265, N-4349 BRYNE, Norway

Telephone: +47 22 87 2000

**ABB Engineering (Shanghai) Ltd.**

Robotics & Discrete Automation

No. 4528 Kangxin Highway

PuDong New District

SHANGHAI 201319, China

Telephone: +86 21 6105 6666

**ABB Inc.**

**Robotics & Discrete Automation**

1250 Brown Road

Auburn Hills, MI 48326

USA

Telephone: +1 248 391 9000

**[abb.com/robotics](http://abb.com/robotics)**